

PRODUCT DATA SHEET

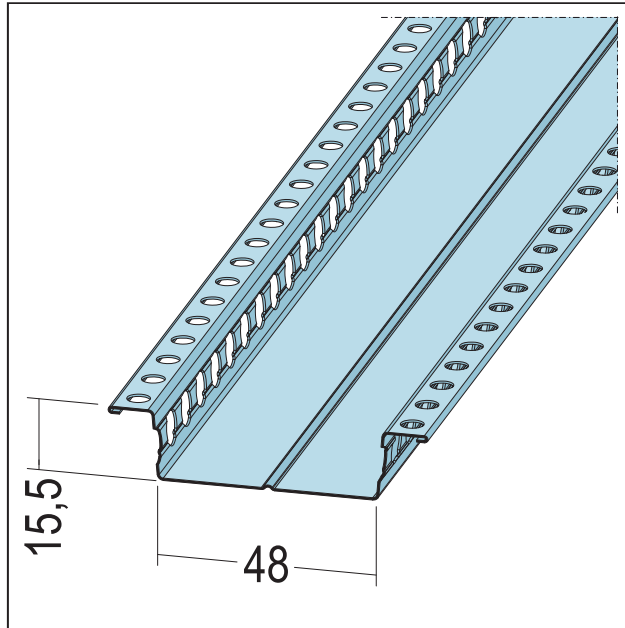
Drywall furring profile

48-15.5

Item no. 5112



Status: 26.09.2025 | 09:43



Designation	Drywall furring profile 48-15.5
Description	Application area: mounting construction panels on walls/wall facings. Do not use as a ceiling sub-construction!
Product area	Dry lining / lightweight steel construction
Product category	Special products
Material thickness	0,6 mm
Standard EN	EN 14195:2005
Galvanizing	tested to standard
Product width	48 mm
Reaction to fire (R2F)	A1
Customs tariff number	73089059
Opened label	Purchase only possible as full packaging units.

Order number	Length (cm)	Plaster thickness	Material	
100109	230		Galvanised steel	10 PCS / 20 BUN

This product data sheet corresponds to the current state of development of our products and loses its validity upon publication of a new edition. Make sure you are using the latest edition of this information. Warranty and liability are based on delivery according to our general Terms and conditions. Please observe the application assembly and storage guidelines.

All statements without guarantee. Reserve technical changes. Product illustrations may differ from the delivery product. Tender specifications, installation instructions and performance declarations (if required by law) can be found on our homepage. Please respect the environment for a proper disposal!