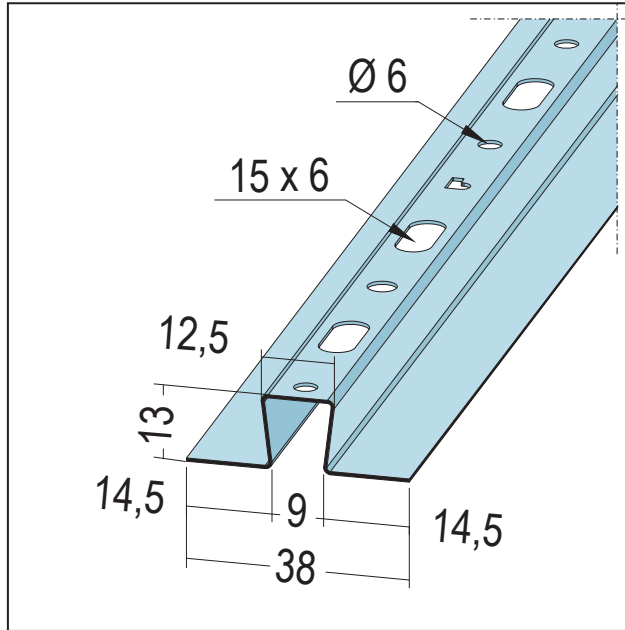


PRODUCT DATA SHEET

Hat profile
13 x 38 mm
Item no. 5156



Status: 26.09.2025 | 09:30



Designation	Hat profile 13 x 38 mm
Description	Application area: walls/wall facings for mounting construction panels as a clamping system.
Product area	Dry lining / lightweight steel construction
Product category	Special products
Material thickness	0,6 mm
Standard EN	EN 14195:2005
Galvanizing	tested to standard
Product width	38 mm
Reaction to fire (R2F)	A1
Customs tariff number	73089059
Opened label	Purchase only possible as full packaging units.

Order number	Length (cm)	Plaster thickness	Material	
100620	300		Galvanised steel	15 PCS / 80 BUN

This product data sheet corresponds to the current state of development of our products and loses its validity upon publication of a new edition. Make sure you are using the latest edition of this information. Warranty and liability are based on delivery according to our general Terms and conditions. Please observe the application assembly and storage guidelines.

All statements without guarantee. Reserve technical changes. Product illustrations may differ from the delivery product. Tender specifications, installation instructions and performance declarations (if required by law) can be found on our homepage. Please respect the environment for a proper disposal!