

# PRODUCT DATA SHEET

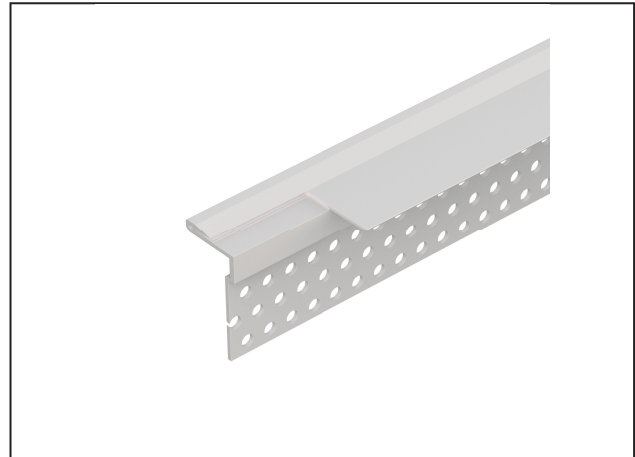
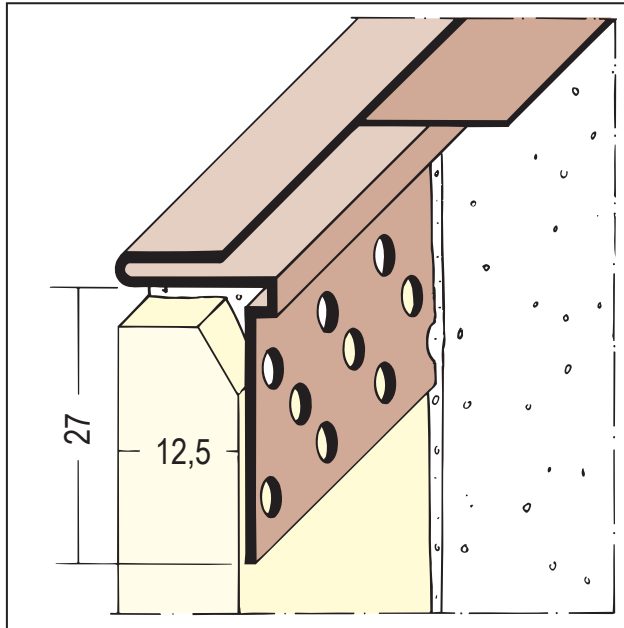
Featured bead for dry lining

12,5 mm PB

Item no. 3766



Status: 11.11.2025 | 15:09



<b>Designation</b>	Featured bead for dry lining 12,5 mm PB
<b>Description</b>	PVC stop profile for creating one-side trowled graduations with shadow joints, e.g. for the area of sliding ceiling and wall connections. For plasterboard panels of 12.5 mm and thicker with pull-out cover strips. Profiles must also be fastened with clips. The S shape of the PVC profile provides for an elastic connection to adjacent construction elements (e.g. ceilings, wooden components). The pull-out cover strip protects adjacent building elements against dirt.
<b>Product area</b>	Internal construction
<b>Product category</b>	Design profiles
<b>Plaster thickness</b>	1 mm
<b>GK/Plate</b>	ab 12,5 mm
<b>Treatment</b>	All profiles must also be fastened with clips.
<b>Shadow gap</b>	3 mm
<b>Customs tariff number</b>	39162000
<b>Opened label</b>	Purchase only possible as full packaging units.

Order number	Length (cm)	Plaster thickness	Material	color value	
102559	300	1 mm	Hard PVC	10 - white	35 PCS / 70 BOX

This product data sheet corresponds to the current state of development of our products and loses its validity upon publication of a new edition. Make sure you are using the latest edition of this information. Warranty and liability are based on delivery according to our general Terms and conditions. Please observe the application assembly and storage guidelines.

All statements without guarantee. Reserve technical changes. Product illustrations may differ from the delivery product. Tender specifications, installation instructions and performance declarations (if required by law) can be found on our homepage. Please respect the environment for a proper disposal!