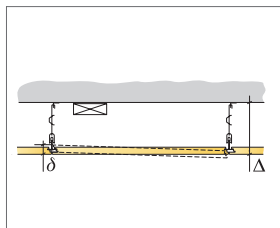


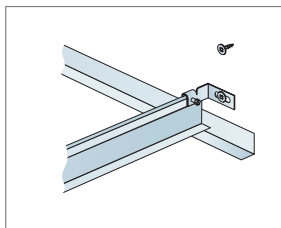
© Ecophon Group

QUANTITY SPECIFICATION (EXCL. WASTAGE)

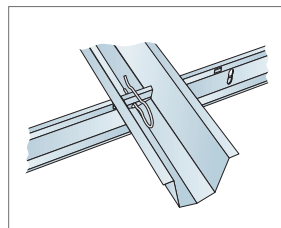
	Size, mm					
	600x600	1200x600	1600x600	1800x600	2000x600	2400x600
1 Ecophon Focus Ds	2,8/m <sup>2</sup>	1,4/m <sup>2</sup>	1,05/m <sup>2</sup>	0,95/m <sup>2</sup>	0,85/m <sup>2</sup>	0,7/m <sup>2</sup>
2 Connect T24 Main runner HD, installed at 600 mm centres	1,7m/m <sup>2</sup>	1,7m/m <sup>2</sup>	1,7m/m <sup>2</sup>	1,7m/m <sup>2</sup>	1,7m/m <sup>2</sup>	1,7m/m <sup>2</sup>
3 Connect Wall bracket for T-profiles	1 for every row of suspended Main runner HD					
4 Connect Space bar, installed at 1500 mm centres (max. distance from wall 300 mm)	0,7m/m <sup>2</sup>	0,7m/m <sup>2</sup>	0,7m/m <sup>2</sup>	0,7m/m <sup>2</sup>	0,7m/m <sup>2</sup>	0,7m/m <sup>2</sup>
5 Connect Wall bracket, L=700 mm, for Space bar	1 for every row of Space bar					
6 Connect T24 Cross tee, L=600 mm	2per row of Main runner					
7 Connect Split pin, installed one per joint Main runner/Space bar	1,4/m <sup>2</sup>	1,4/m <sup>2</sup>	1,4/m <sup>2</sup>	1,4/m <sup>2</sup>	1,4/m <sup>2</sup>	1,4/m <sup>2</sup>
8 Connect Adjustable hanger, installed at 1200 mm centres (max. distance from wall 600 mm)	0,7/m <sup>2</sup>	0,7/m <sup>2</sup>	0,7/m <sup>2</sup>	0,7/m <sup>2</sup>	0,7/m <sup>2</sup>	0,7/m <sup>2</sup>
9 Connect Hanger clip	0,7/m <sup>2</sup>	0,7/m <sup>2</sup>	0,7/m <sup>2</sup>	0,7/m <sup>2</sup>	0,7/m <sup>2</sup>	0,7/m <sup>2</sup>
10 Connect Support clip Dg20	1pc/300-400 mm on every cut perimeter tile with only 1 supporting edge					
11 Connect Angle trim 15/22, fixed at 300 mm centres	as required	as required	as required	as required	as required	as required
12 Connect Perimeter tile clip	1 /300-400mm on any cut edge					
Δ Min. overall depth of system: 135 mm	-	-	-	-	-	-
δ Min. demounting depth: 30 mm	-	-	-	-	-	-



See Quantity specification



Secured Main runner at wall with Connect Wall bracket

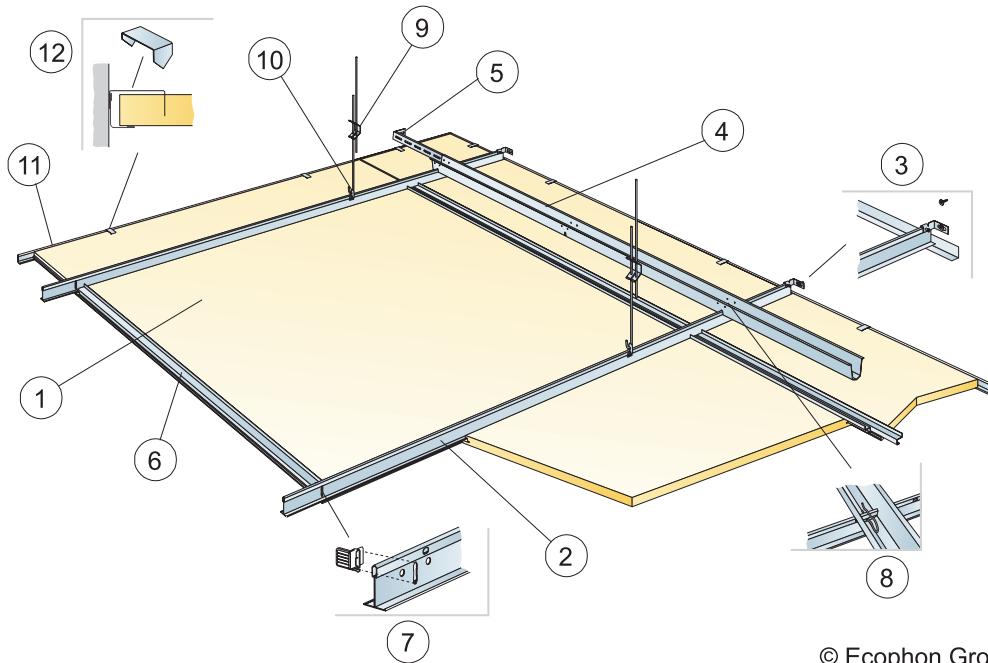


Connection between profiles with split pin

Size, mm	Max live load [N]	Min load bearing capacity [N]
600x600	50	160
1200x600	50	160
1600x600	50	160
1800x600	50	160
2000x600	50	160
2400x600	50	160

Live load/load bearing capacity

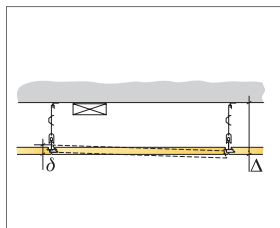
## INSTALLATION DIAGRAM (M207) FOR FOCUS DS 1200X1200 MM



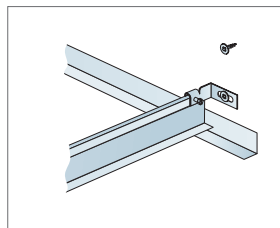
© Ecophon Group

### QUANTITY SPECIFICATION (EXCL. WASTAGE)

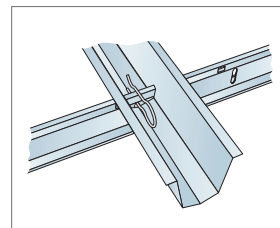
		<b>Size, mm</b>
		<b>1200x1200</b>
1	Ecophon Focus Ds	0,7/m <sup>2</sup>
2	Connect T24 Main runner HD, installed at 1200 mm centres	0,9m/m <sup>2</sup>
3	Connect Wall bracket for T-profiles	1 for every row of suspended Main runner HD
4	Connect Space bar, installed at 1500 mm centres (max. distance from wall 300 mm)	0,7m/m <sup>2</sup>
5	Connect Wall bracket, L=700 mm, for Space bar	1 for every row of Space bar
6	Connect Edge stiffener	1,4/m <sup>2</sup>
7	Connect Stop clip	2 for every row of Main runner
8	Connect Split pin, installed one per joint Main runner/Space bar	0,55/m <sup>2</sup>
9	Connect Adjustable hanger, installed at 1200 mm centres (max. distance from wall 600 mm)	0,7/m <sup>2</sup>
10	Connect Hanger clip	0,7/m <sup>2</sup>
11	Connect Angle trim 15/22, fixed at 300 mm centres	as required
12	Connect Perimeter tile clip	1 /300-400mm on any cut edge
Δ Min. overall depth of system: 135 mm		-
δ Min. demounting depth: 50 mm		-



See Quantity specification



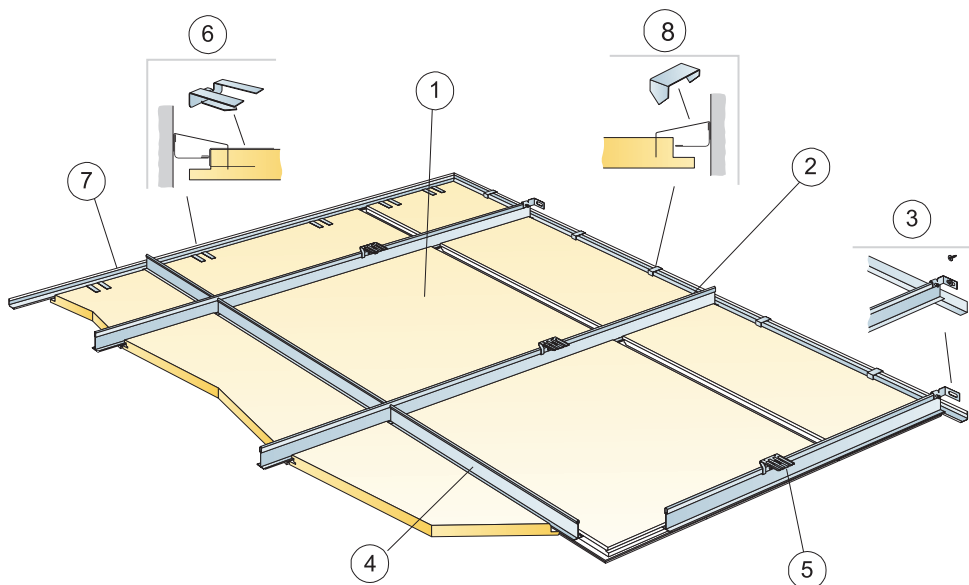
Secured Main runner at wall with Connect Wall bracket



Connection between profiles with split pin

Size, mm	Max live load [N]	Min load bearing capacity [N]
1200x1200	50	160

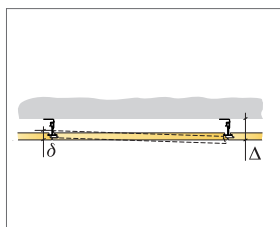
Live load/load bearing capacity



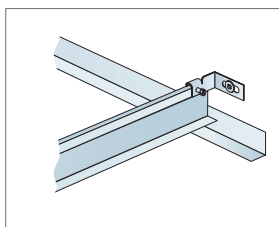
© Ecophon Group

QUANTITY SPECIFICATION (EXCL. WASTAGE)

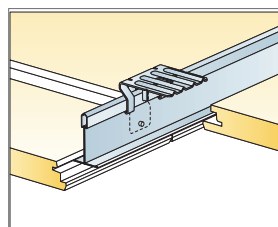
		Size, mm					
		600x600	1200x600	1600x600	1800x600	2000x600	2400x600
1	Ecophon Focus Ds	2,8/m <sup>2</sup>	1,4/m <sup>2</sup>	1,05/m <sup>2</sup>	0,95/m <sup>2</sup>	0,85/m <sup>2</sup>	0,7/m <sup>2</sup>
2	Connect T24 Main runner HD, installed at 600 mm centres	1,7m/m <sup>2</sup>	1,7m/m <sup>2</sup>	1,7m/m <sup>2</sup>	1,7m/m <sup>2</sup>	1,7m/m <sup>2</sup>	1,7m/m <sup>2</sup>
3	Connect Wall bracket for T-profiles	1 for every row of suspended Main runner HD					
4	Connect T24 Cross Tee, l=600	2/row of Main runner					
5	Connect Direct bracket, installed at 1500 mm centres	1,1/m <sup>2</sup>	1,1/m <sup>2</sup>	1,1/m <sup>2</sup>	1,1/m <sup>2</sup>	1,1/m <sup>2</sup>	1,1/m <sup>2</sup>
6	Connect Support clip Dg20	1 /300-400mm on any cut edge					
7	Connect Angle trim 15/22, fixed at 300 mm centres	as required	as required	as required	as required	as required	as required
8	Connect Perimeter tile clip can be used if sufficient space is available.	1 pc/300-400 mm on every cut perimeter tile with only 1 supporting edge					
Δ Min. overall depth of system: 65 mm		-	-	-	-	-	-
δ Min. demounting depth: 30 mm		-	-	-	-	-	-



See Quantity specification



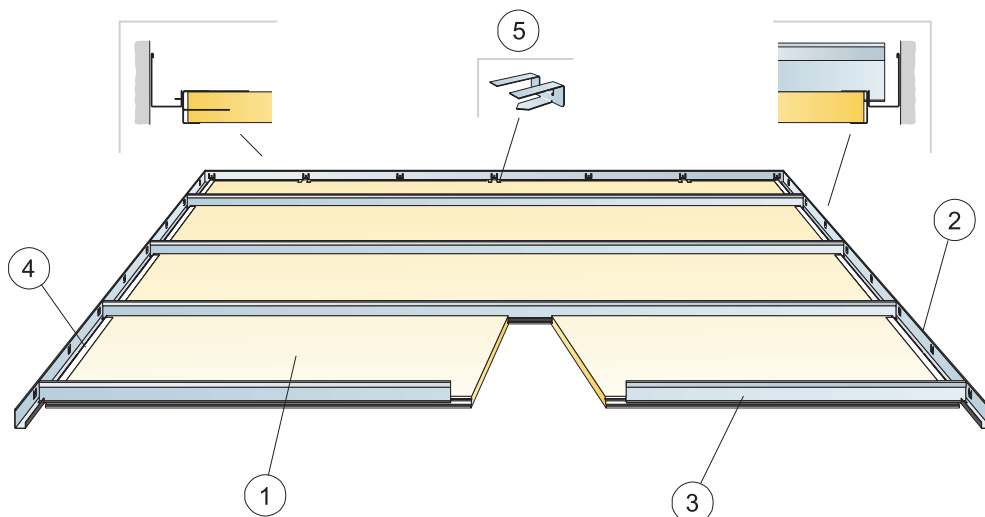
Secured Main runner at wall with Connect Wall bracket



Suspension with direct fix bracket

Size, mm	Max live load [N]	Min load bearing capacity [N]
600x600	50	160
1200x600	50	160
1600x600	50	160
1800x600	50	160
2000x600	50	160
2400x600	50	160

Live load/load bearing capacity



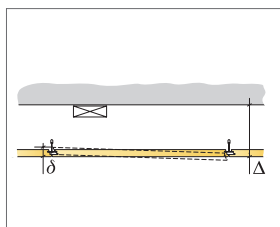
© Ecophon Group

### QUANTITY SPECIFICATION (EXCL. WASTAGE)

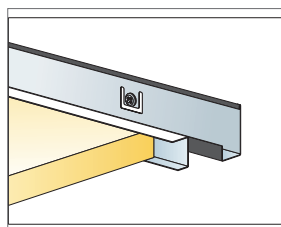
		Size, mm			
		1600x600	1800x600	2000x600	2400x600
1	Focus Ds XL	1,05/m <sup>2</sup>	0,95/m <sup>2</sup>	0,85/m <sup>2</sup>	0,7/m <sup>2</sup>
2	Connect Modular Wall trim	as required	as required	as required	as required
3	Connect T24 Corridor profile	1,05/m <sup>2</sup>	0,95/m <sup>2</sup>	0,85/m <sup>2</sup>	0,7/m <sup>2</sup>
4	Connect Cover trim Ds	2/tile plus end tiles			
5	Connect Support clip Dg 20	1 pc/300-400 mm on every cut perimeter tile with only 1 supporting edge			

Δ Min. overall depth of system: 55 mm

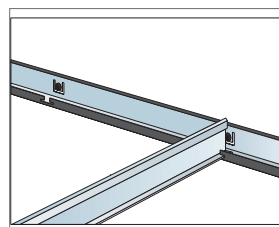
δ Min. demounting depth: 30 mm



See Quantity specification



Tile and Connect Cover trim Ds



Corridor profile positioned by Modular wall trim

Size, mm	Max live load [N]	Min load bearing capacity [N]

Live load/load bearing capacity